

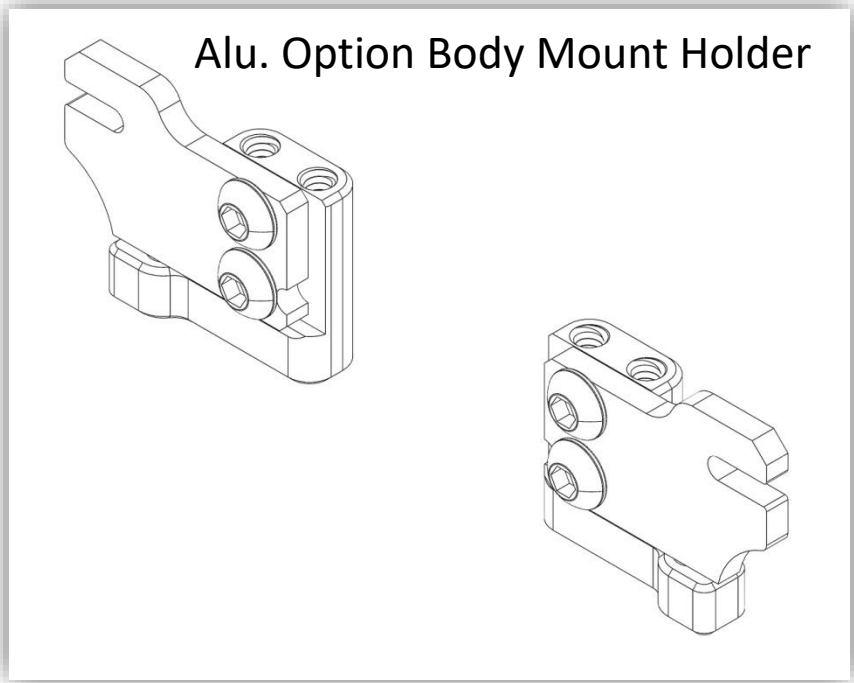
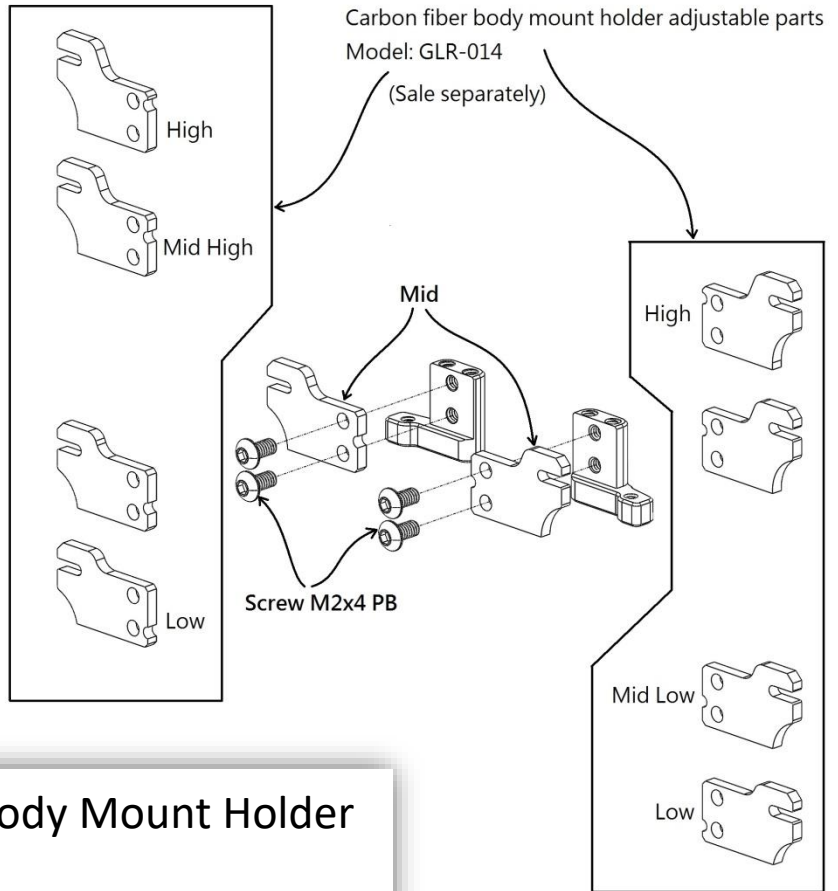
Model: GLR-013

Carbon Fiber Body Mount Holder Adjustable Parts

Model: GLR-014

1

### Assembly Guide



2

